



FOOT PEDALS

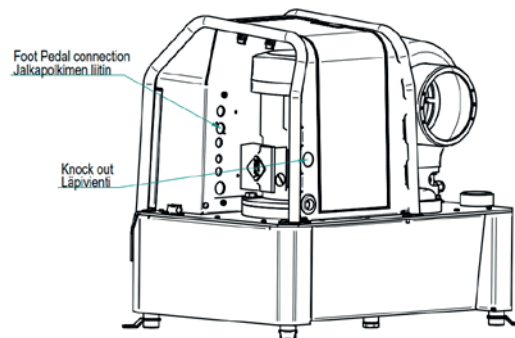
Standard foot pedal (**single pedal**) is available for all machines except P32NMS and P20NMS and service line machines.

Standard feature for FP160/165, FP170/175, KC800, KC1200, KC2000, SP100, SP350, SP1200, SP2000 and NC machines.

Electrical backstop and foot pedal share the same J2 connector. They cannot be used simultaneously. On ICC controlled machines AUX-mode is used for foot pedal and electrical backstop operation.

SINGLE FOOT PEDAL CAN BE INSTALLED AS AN OPTION FOR

120ICC / FP120ICC
140ICC / FP140ICC
FP20ICC
FP145ICC
CC22 / 26
20MS / 32MS
P51 / P60



The foot pedal enables holding the hose assembly with both hands. In P32NMS and P20NMS machines foot pedal is **double pedal**.

One pedal is for crimping and the other one for opening. When foot pedal is connected, dies will move as long as the foot pedal is pressed or till the set crimping diameter has been reached. Crimping can be interrupted by lifting the foot from the pedal. After reaching the crimping diameter dies are opened by using the other pedal.

In P32NMS and P20NMS machines double pedal is possible **only as factory installation**.

Foot pedal part numbers:
676057 for 20MS and 32MS
676906 for P20NMS and P32NMS
691563 for all other machines



**FURTHER INFO ON PRODUCTS,
PLEASE REVERT TO SPECIFIC PRODUCT CARD**

FINNPOWER.FI

LILLBACKAUSA.COM